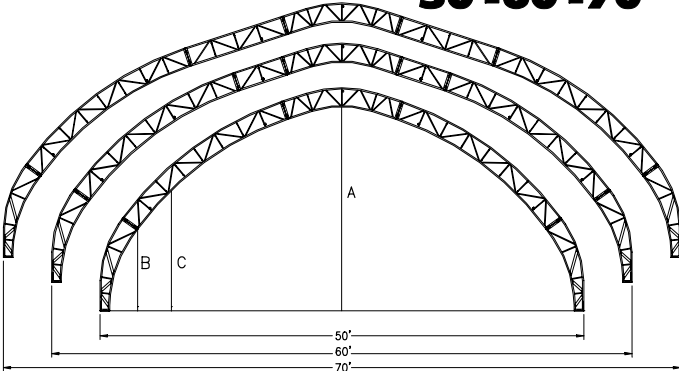
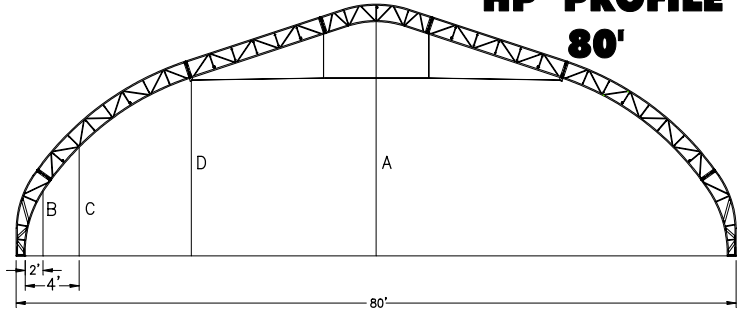


**"HP" PROFILE**  
**50'-60'-70'**

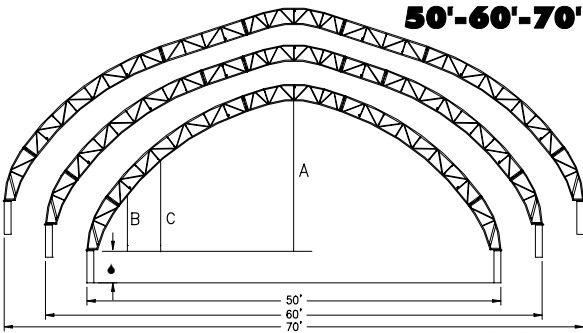


**"HP" PROFILE**  
**80'**

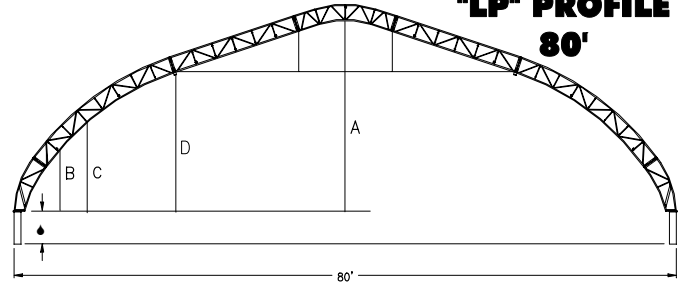


▲ = variable

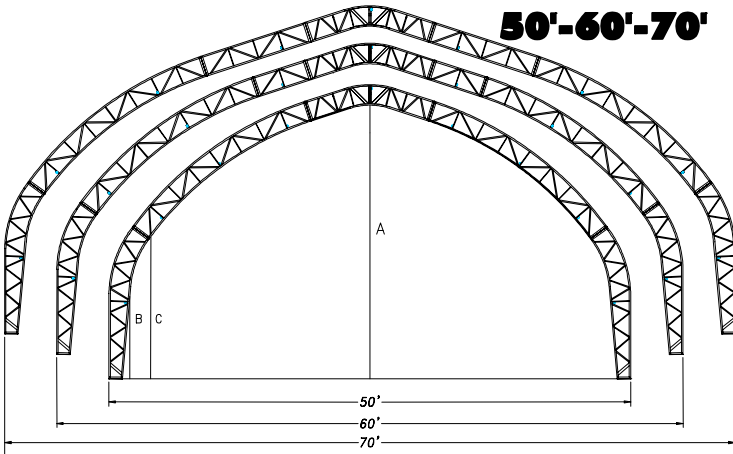
**"LP" PROFILE**  
**50'-60'-70'**



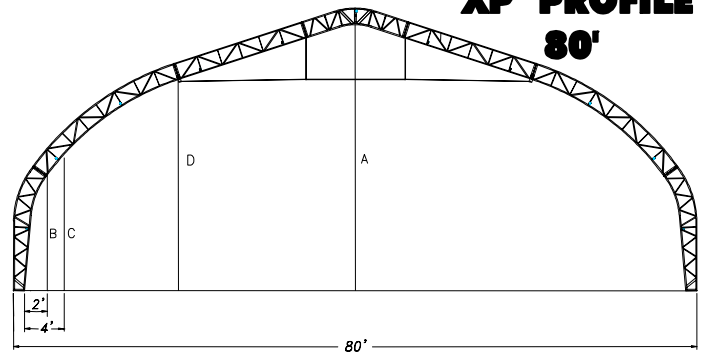
**"LP" PROFILE**  
**80'**



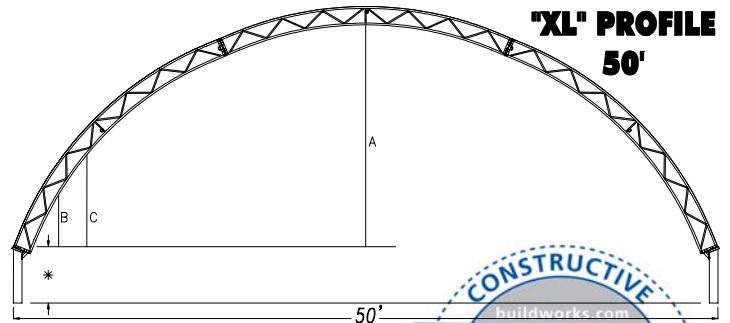
**"XP" PROFILE**  
**50'-60'-70'**



**"XP" PROFILE**  
**80'**

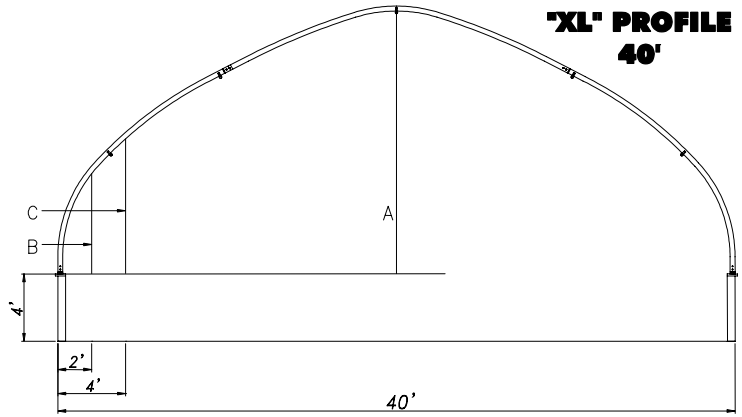
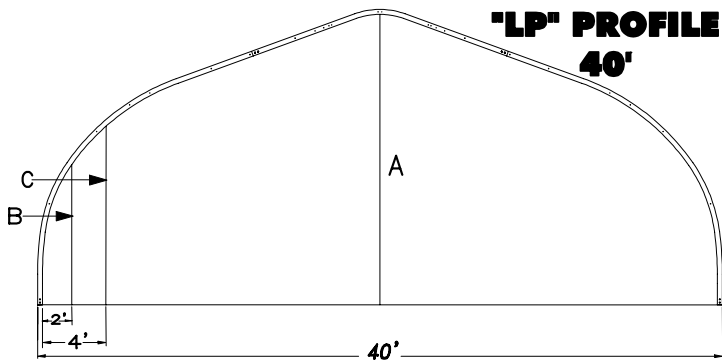
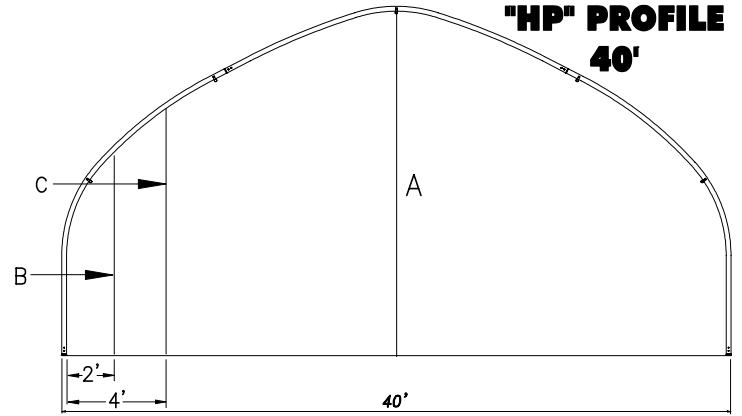
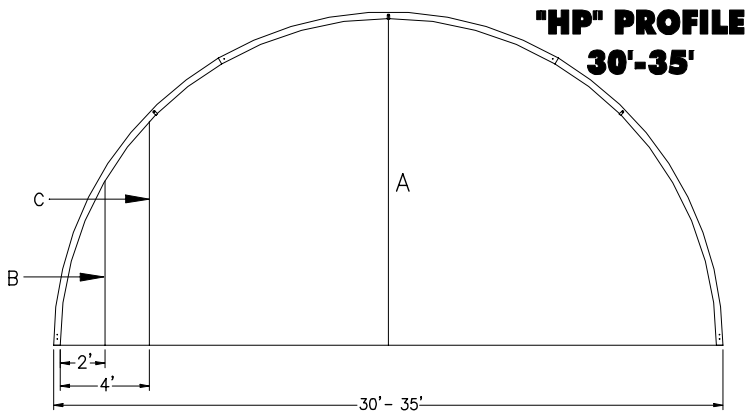


**"XL" PROFILE**  
**50'**



| Models         | A        | B (2') | C (4') | D     |
|----------------|----------|--------|--------|-------|
| HP profile 50' | 21'2"    | 7'1"   | 9'10"  | ----  |
| HP profile 60' | 22'10"   | 7'1"   | 9'10"  | ----  |
| HP profile 70' | 24'6"    | 7'1"   | 9'10"  | ----  |
| HP profile 80' | 26'      | 7'1"   | 9'10"  | 19'7" |
| LP profile 50' | 18' Σ    | 3'8" Σ | 6'5" Σ | ----  |
| LP profile 60' | 19'8" Σ  | 3'8" Σ | 6'5" Σ | ----  |
| LP profile 70' | 21'4" Σ  | 3'8" Σ | 6'5" Σ | ----  |
| LP profile 80' | 22'10" Σ | 3'8" Σ | 6'5" Σ | 16'5" |
| XL profile 50' | 15'9" Σ  | 3'8" Σ | 6'6" Σ | ----  |
| XP profile 50' | 26'2"    | 12'1"  | 14'10" | ----  |
| XP profile 60' | 27'10"   | 12'1"  | 14'10" | ----  |
| XP profile 70' | 29'6"    | 12'1"  | 14'10" | ----  |
| XP profile 80' | 31'      | 12'1"  | 14'10" | 24'7" |

Σ Add height of wall for ground measurement



| Models | A              | B (2')        | C (4')        |
|--------|----------------|---------------|---------------|
| HP 30' | 14'9"          | 7'4"          | 10'1"         |
| HP 35' | 16'7"          | 7'5"          | 10'4"         |
| HP 40' | 20'7"          | 11'4"         | 13'4"         |
| LP 40' | 16'11"         | 8'2"          | 10'5"         |
| XL 40' | 15'7" $\Sigma$ | 6'4" $\Sigma$ | 8'4" $\Sigma$ |

$\Sigma$  Add height of wall for clearance